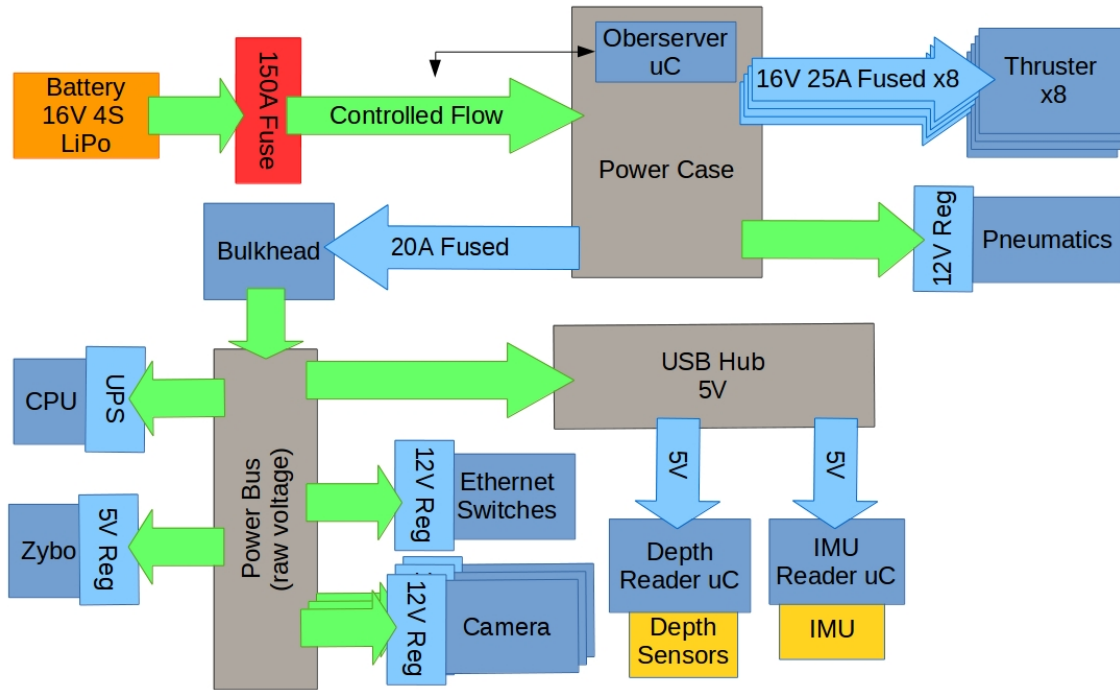


# Power Diagram

Below is the current power diagram for all of the devices in the submarine.



From: <http://robosub-old.eecs.wsu.edu/wiki/> - **Palouse RoboSub Technical Documentation**

Permanent link: [http://robosub-old.eecs.wsu.edu/wiki/ee/power/power\\_diagram/start?rev=1473711331](http://robosub-old.eecs.wsu.edu/wiki/ee/power/power_diagram/start?rev=1473711331)

Last update: **2016/09/12 13:15**